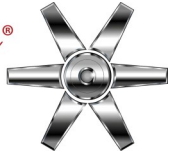
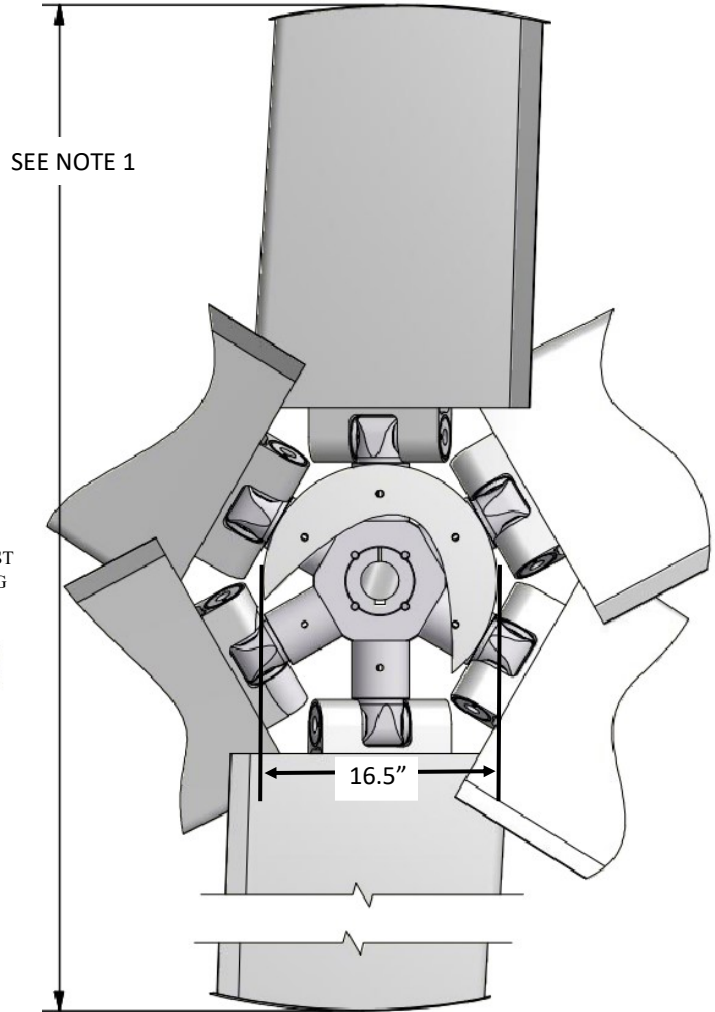
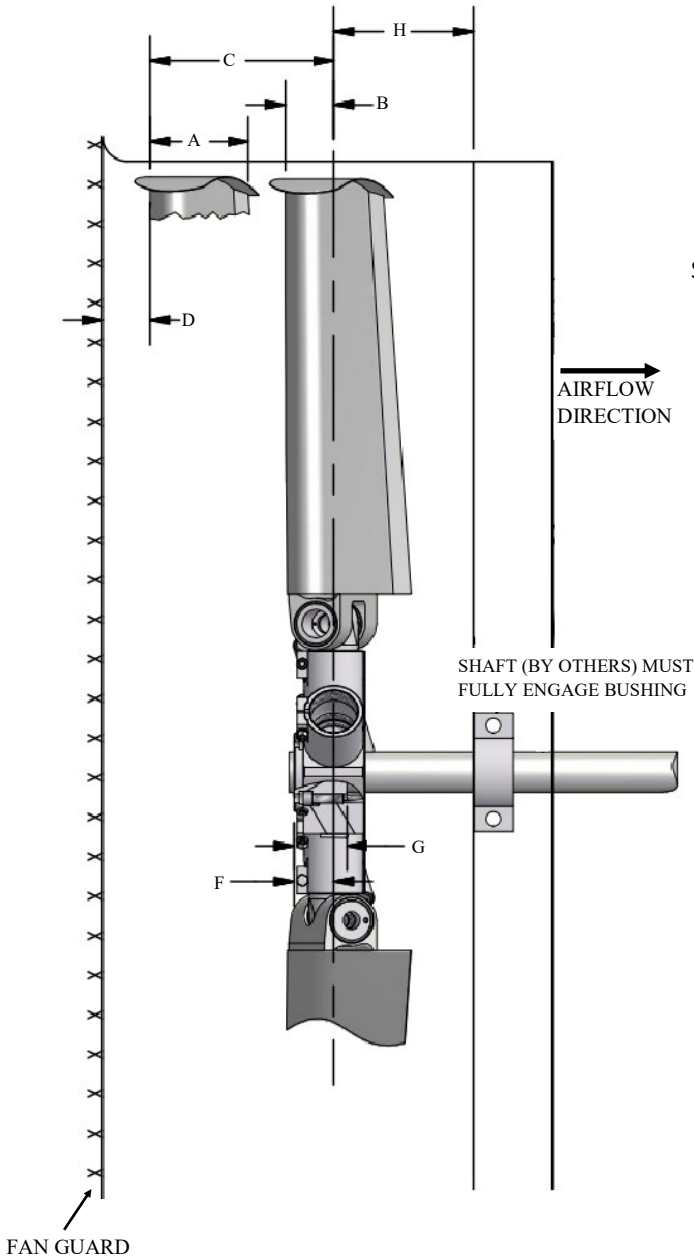


CLASS 10000 HD SERIES 18 SC

LH ROTATION



COUNTER-CLOCKWISE ROTATION
(FAN BLOWING IN OBSERVER'S FACE)
STANDARD LEFT HAND FAN



- A = BLADE TIP THICKNESS @ 19° BLADE ANGLE
- B = RUNNING POSITION OF BLADES
- C = MAXIMUM DROOP POSITION OF BLADES
- D = MINIMUM OBSTACLE CLEARANCE AT INLET
- F = CENTERLINE OF FAN TO BASE OF BUSHING
- G = BUSHING OVERALL HEIGHT
- H = MINIMUM OBSTACLE CLEARANCE AT OUTLET
- I = NOMINAL MECHANICAL HUB DIAMETER
- L = MAXIMUM BUSHING TORQUE FT. LBS.
- # = WITH S.A.E. STANDARD SQUARE KEYWAY
- * = WITH SHALLOW KEYWAY IN BUSHING
- o = MAX METRIC BORE WITH STANDARD KEYWAY

NOTE 1:
MAXIMUM FAN DIAMETER EQUALS NOMINAL FAN DIAMETER. SERIES 18 HAS ADJUSTMENT OF -1/4 INCHES* POSSIBLE AT INSTALLATION, NO OUTWARD ADJUSTMENT

*BLADES WITH ATEX TIPS HAVE ADJUSTMENT OF -1.0" & +2.0" ON DIAMETER

MINIMUM ANGLE FOR INSTALLATION IS 7° FOR A 5 BLADE FAN AND 13° FOR A 6 BLADE FAN.

BUSHING CAN BE INSTALLED ON INLET OR OUTLET SIDE OF FAN. AIR SEAL MUST BE OPPOSITE OF BUSHING

WITH FAN OPERATING AT 12000 FT/MINUTE BLADE TIP SPEED

DIA	PERCENT BLADE LOADING				C	D	H
	100%		75%				
	A	B	B	B			
3.5'	7.1"	3.3"	3.2"	3.3"	2.0"	7.0"	
4'	6.9"	3.3"	3.3"	3.5"	2.0"	7.0"	
5'	6.6"	3.6"	3.4"	4"	2.0"	7.0"	
6'	6.2"	4"	3.7"	4.7"	2.0"	7.0"	

MAX BLADES	BUSHING TYPE	MAX # BORE	MAX * BORE	MAX o BORE	I	F	G	L
6	U	2.750"	2.938"	75	7"	2.0"	2.7"	4000